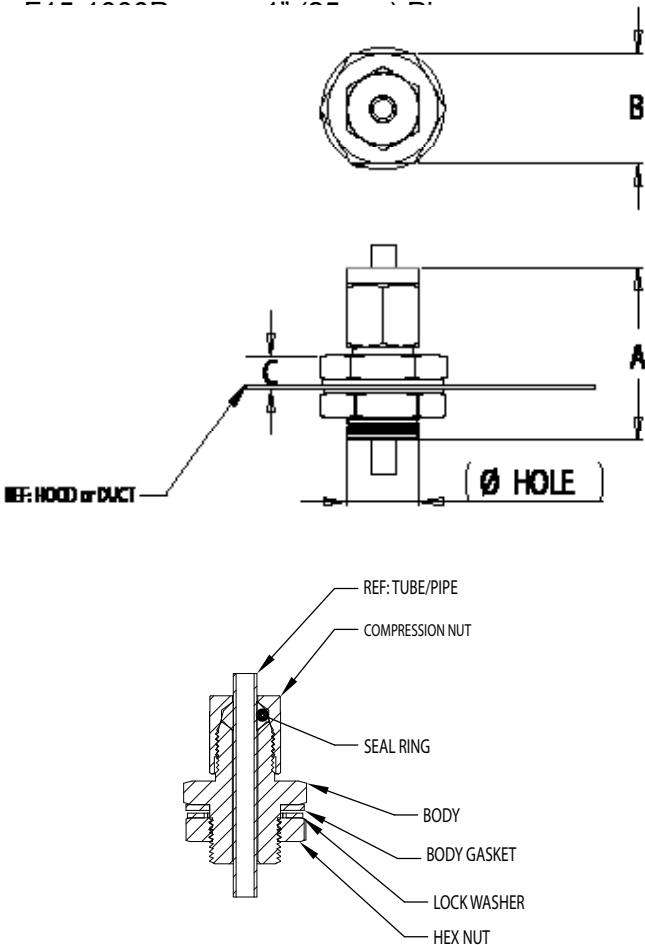


## Compression

### Penetration Fittings

## F15 Series

F15-250T	1/4" (6mm) Tube
F15-375T	3/8" (10mm) Tube
F15-500T250P	1/2" (13mm) Tube & 1/4" (6mm) Pipe
F15-625T375P	5/8" (16mm) Tube & 3/8" (10mm) Pipe
F15-500EMT	1/2" (12mm) EMT Conduit
F15-500P	1/2" (12mm) Pipe
F15-750P	3/4" (19mm) Pipe



Dimensions shown in inches (mm) are for reference only and are subject to change.

Easy to install alternative to welding and polishing

### Code compliant, cost effective

- Tested and listed by Underwriters Laboratories
- Conforms to requirements of NFPA Standard No. 96
- Provides a stable, weld-tight joint
- Compression-style fittings do not require threading
- Chrome plated finish for attractive appearance, maximum corrosion resistance
- Solid machined steel construction for superior strength and high temperature resistance
- Pressure tested to 5000 psi

Model No.	Quick-Tite Fitting	Hole Cut Out Size	A	B	C
F15-250T	1/4" (6mm) Tube	3/4" (19mm)	1.8	1.125 HEX	.31
F15-375T	3/8" (10mm) Tube	3/4" (19mm)	1.8	1.125 HEX	.31
F15-500T250P	1/2" (13mm) Tube & 1/4" (6mm) Pipe	3/4" (19mm)	1.8	1.125 HEX	.31
F15-625T375P	5/8" (16mm) Tube & 3/8" (10mm) Pipe	1-1/8" (29mm)	2.0	1.5 HEX	.37
F15-500EMT	1/2" (13mm) EMT Conduit	1-1/8" (29mm)	2.0	1.5 HEX	.37
F15-500P	1/2" (13mm) Pipe	1-1/8" (29mm)	2.08	1.5 HEX	.37
F15-750P	3/4" (19mm) Pipe	1-3/8" (35mm)	2.37	1.875 HEX	.37
F15-1000P	1" (25mm) Pipe	1-5/8" (41mm)	2.5	2.25 HEX	.44

