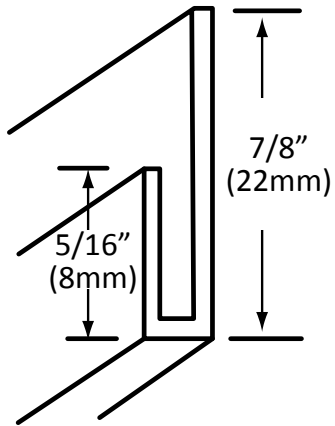


Stainless Steel Cap Strip for 1/16" (1.6mm)
Material

J63-1451-x

J63-1451	7ft (2.1m)
J63-1451-8	8ft (2.4m)
J63-1451-9	9ft (2.7m)
J63-1451-10	10ft (3m)



*Dimensions shown in inches (mm) are for reference only
and are subject to change.*

Stainless steel cap strip

- Stainless steel construction with bright finish
- Type 430 stainless steel, 28-gauge construction with satin finish
- Individually sleeved to protect finish
- Mounting holes every 6.25 inches
- Accepts 1/16" (1.6mm) material

Approximate shipping weight - 1 lb.