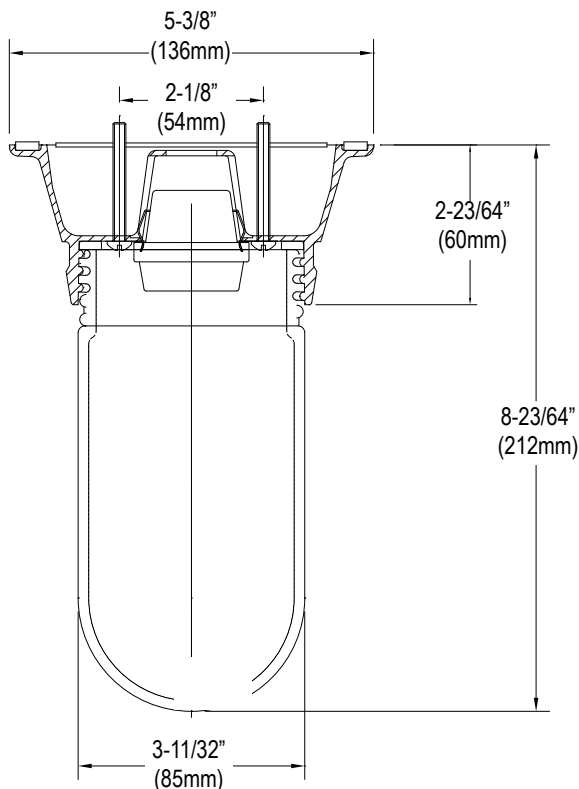


100W Surface Mount
Incandescent Hood Light With Clear Coated
Tempered Glass Globe And High Temperature
Leads

L55-1004-HT



Dimensions shown in inches (mm) are for reference only and are subject to change.

Maximum Operating Temperature: 75°C (167°F)

Shipping Weight: 2 lbs

100W Surface Mount Incandescent Hood Light With Clear Coated Tempered Glass Globe And High Temperature Leads

High Efficiency, Environmentally Friendly

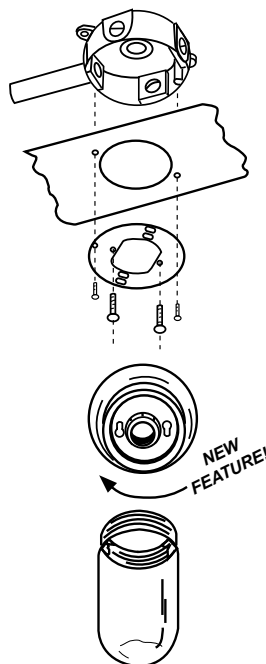
- Globe furnished with TUFF-SKIN clear plastic coating
- Thermal and shock resistant tempered clear glass globe is ideal for commercial kitchens
- E-Z Mount Keyhole feature for quick installation
- Permanently affixed silicone gaskets speed up installation
- Designed for convenient installation into prewired hoods
- Greaseproof, waterproof & heatproof construction
- U.L. listed for use in commercial cooking hoods
- Meets all requirements for NFPA #96 and N.E.C. 410

Features

- Fixture body is die cast aluminum with brushed finish to match stainless steel hood interiors
- Porcelain socket body with copper shell
- 14 awg, 9" (229mm) long insulated wire leads rated to 392°F (200°C)
- Accepts standard 100 watt A19 bulb (not furnished)
- Rated up to 120 VAC, 60 Hz
- Junction box not furnished. Fixture is designed to accept any standard 3-1/2" (89mm) or 4" (102mm) junction box

Specifications

Light fixture to be Component Hardware L55-1004-HT canopy hood light for high temp application with E-Z mount keyhole feature. Lamp holder wires to be rated to 392°F (200°C). Leads to be 14 AWG with 9" (229mm) long stripped ends. Fixture to be cULus and NSF Listed.



Underwriters Laboratories standard #1598 requires that light fixtures in commercial cooking hoods must be mounted a minimum of 4 ft (1219mm) above the cooking surface.

