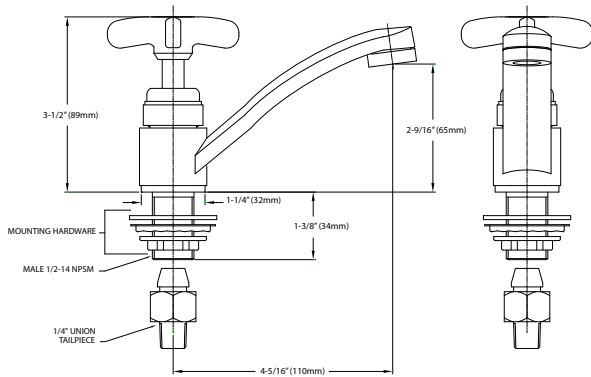


Encore® Single Spout Swing Faucet  
**KL18-3170**



Dimensions shown in inches (mm) are for reference only and are subject to change.

1/2" NPS Male Inlet with 1/4" union tailpiece (included)  
 Operating Temp: 40 - 180°F (5 - 83°C)  
 Operating Pressure: 20 - 125psi

Approximate shipping weight - 2 lbs  
 Warranty - 2 years parts

Deck mounted single spout swing faucet

**Commercial Quality Features**

- Polished chrome plated brass
- Stainless steel 4" swing spout

**SPECIFICATIONS:**

Single spout swing faucet to be Encore KL18-3170. Faucet to be constructed of polished chrome plated brass. Spout to be integral 4" swing style that can rotate 360° and a single full turn valve. Unit to be furnished with a full flow stream bubbler with a replaceable seat and stem. Faucet to be furnished with 1/2" NPS male inlet with 1/4" union tailpiece fitting and mounting hardware.

**COMPLIES WITH:**  
 ASME A112.18.1-2005  
 CSA B125.1-05  
 NSF/ANSI 61/9, ANNEX G  
 SECTION 116875 OF THE  
 CALIFORNIA HEALTH & SAFETY CODE  
 (COMMONLY KNOWN AS AB1953)  
 VERMONT ACT 193  
 UNIFORM PLUMBING CODE

