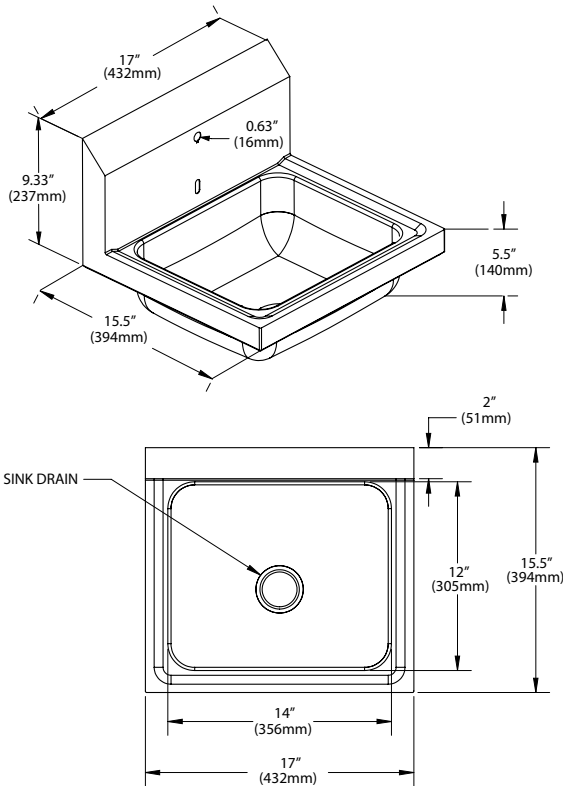


## Encore® EZ-Electronic™ Handsink KE24-Ax30-Cx0 Series



Dimensions shown in inches (mm) are for reference only and are subject to change.

Approximate shipping weight - 10 lbs  
Warranty - 3 years parts

Stainless steel handsink with built-in hands free electronic faucet designed to minimize water consumption and reduce potential for cross contamination.

### Commercial Quality Features

- 500,000 cycle battery life (250,000 hand washes)
- Low lead compliant stainless steel spout with vandal resistant aerator
- Energy-efficient "latching" (bi-stable) solenoid only uses power to open or close
- Auto-ranging feature automatically adjusts sensing range
- Armored/vandal-resistant DC input power cable
- (2) 18" braided stainless steel supply lines included
- Manual mixing valve with integral hot and cold check valves and cleanable filter
- DC models powered with (4) 1.5V AA batteries (included)

### Hands-Free Operation

- Infrared sensor activated
- Self-adapting sensor distance adjustment
- 1 second shut-off delay
- 20 second adjustable automatic time-out feature (complies with FDA Food Code)
- Adjustable range of action

### SPECIFICATIONS:

Stainless steel handsink with integral outlet faucet to be Encore KE24 Series\* in the following configuration:

\_\_\_ KE24-A030-CA0    \_\_\_ KE24-A030-CB0  
\_\_\_ KE24-A130-CA0    \_\_\_ KE24-A130-CB0

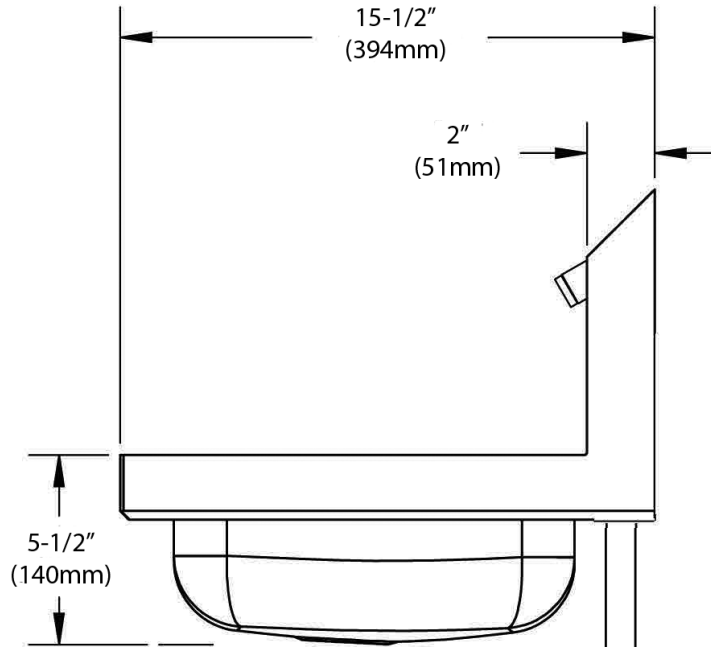
Stainless steel wall mount handsink to have Type 304 one piece welded construction. Sink bowl accepts 1-1/2" NPS stainless steel mini-basket drain (included). Handsink to be wall mounted by using a 'Z' clip wall bracket (provided) and shall have a recessed countertop to create a 'no-drip' edge or 'marine' edge.

Faucet spout to be constructed of stainless steel with a total lead content of less than 0.25% by weighted average. Manual mixing valve standard with integral cleanable filter. Sensor assembly to include 6V DC bi-stable solenoid powered by four (4) 1.5V AA batteries (included). AC models to include 9V 800 mA UL listed adapter, US plug. Valve components (battery compartment, sensor connector, and control module (PCB)) to be housed in sealed, non-metallic box for easy access and quick installation. Faucet to be furnished with armored vandal-resistant DC power cable and (2) 3/8" braided stainless steel supply lines.

\*Refer to model number configurator chart on reverse.

**COMPLIES WITH:**  
THE FEDERAL "REDUCTION OF LEAD  
IN DRINKING WATER ACT" -  
2011 - US SENATE BILL NO. S.3874  
NSF/ANSI 61/9, ANNEX G





(2) 18" braided stainless steel supply lines included  
 DC models powered with (4) 1.5V AA batteries (included)

1" Mounting hole required  
 3/8" Compression fitting  
 Operating Temperature: 68 - 120°F  
 Operating Pressure: 15 - 125psi

Model No.	Description
KE24-A030-CA0	Battery Power, .5GPM PCA Spray, Vandal Resistant
KE24-A130-CA0	AC/DC* Power, .5GPM PCA Spray, Vandal Resistant
KE24-A030-CB0	Battery Power, 1.5GPM Laminar Flow, Antimicrobial and Vandal Resistant
KE24-A130-CB0	AC/DC* Power, 1.5GPM Laminar Flow, Antimicrobial and Vandal Resistant

NOTE:  
 \*Includes 9V 800 mA UL listed adapter, US plug.

*Dimensions shown in inches (mm) are for reference only and are subject to change.*