

Encore® Intelli-Flo™ Deck Mount Electronic
Faucet with Thermostatic Mixing Valve

KE19-4xxx-xx1 Series




Intelli-Flo

Power supply for single faucet:
Input: 100 - 240V, 50/60Hz, 0.3amp
Output: DC 9V - 0.8amp
1 phase

Approximate shipping weight - 5 lbs
Warranty - 3 years parts

Sensor activated hands-free electronic faucet designed to minimize water consumption and reduce potential for cross contamination.

Commercial Quality Features

- Pre-assembled control housing reduces installation time
- 500,000 cycle battery life (250,000 hand washes)
- Energy-efficient “latching” (bi-stable) solenoid only uses power to open or close
- Auto-ranging feature automatically adjusts sensing range
- Thermostatic mixing valve with integral hot and cold check valves and cleanable filter
- 10' DC input power cable
- Manual auto-flush feature for sanitizing system
- Low lead compliant chrome plated brass faucet body

Hands-Free Operation

- Infra-red sensor activated
- Self-adapting sensor distance adjustment
- 1 second shut-off delay
- 20 second adjustable automatic time-out feature (complies with FDA Food Code)
- Adjustable range of action

SPECIFICATIONS:

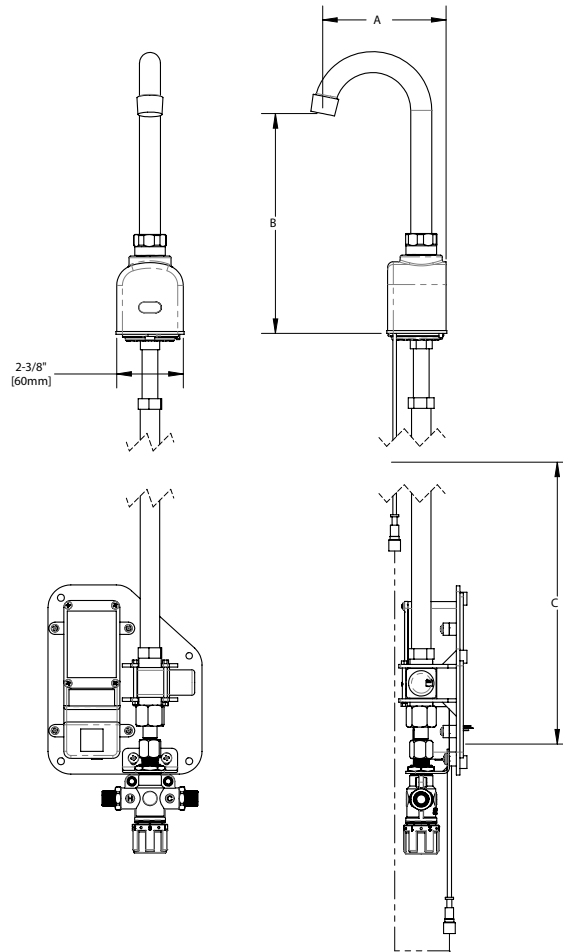
Intelli-Flo deck mount electronic faucet to be Encore KE19-4000 Series*.

Faucet to be constructed of polished chrome plated brass with a total lead content of less than 0.25% by weighted average. Faucet to be single hole deck mount with rigid or swivel gooseneck spout. Thermostatic mixing valve standard with integral cleanable filter. Sensor assembly designed to include 6V DC bi-stable solenoid powered by four (4) 1.5V AA batteries (included). AC models include 9V 800 mA UL listed adapter, US Plug. Valve components (battery compartment, sensor connector, and control module (PCB)) to be housed in sealed, non-metallic box for easy access and quick installation. Faucet to be furnished with (2) 3/8" braided stainless steel supply lines, 0.5 gpm or 1.5 gpm vandal resistant PCA spray aerator and all necessary faucet mounting hardware.

*Refer to model number configurator chart on reverse.

COMPLIES WITH:
THE FEDERAL "REDUCTION OF LEAD
IN DRINKING WATER ACT" –
2011 – US SENATE BILL NO. S.3874
NSF/ANSI 61/9, ANNEX G





(2) 18" braided stainless steel supply lines included
 DC models powered with (4) 1.5V AA batteries (included)

1" Mounting hole required
 3/8" Compression fitting
 Operating Temperature: 68 - 120°F
 Operating Pressure: 15 - 125psi

Model No.	Description	A	B	C
KE19-4000-RA1	Battery Power, 3" Rigid Gooseneck Spout, .5gpm Vandal Resistant PCA Spray Aerator	4-15/16" (125mm)	5-15/16" (151mm)	8-3/16" (208mm)
KE19-4000-RB1	Battery Power, 3" Rigid Gooseneck Spout, 1.5gpm Vandal Resistant PCA Spray Aerator			
KE19-4100-RA1	AC/DC* Power, 3" Rigid Gooseneck Spout, .5gpm Vandal Resistant PCA Spray Aerator			
KE19-4100-RB1	AC/DC* Power, 3" Rigid Gooseneck Spout, 1.5gpm Vandal Resistant PCA Spray Aerator			
KE19-4102-RA1	AC/DC* Power, 6" Rigid Gooseneck Spout, .5gpm Vandal Resistant PCA Spray Aerator	7-11/16" (195mm)	5-7/16" (138mm)	9-3/16" (233mm)
KE19-4102-RB1	AC/DC* Power, 6" Rigid Gooseneck Spout, 1.5gpm Vandal Resistant PCA Spray Aerator			
KE19-4002-RA1	Battery Power, 6" Rigid Gooseneck Spout, .5gpm Vandal Resistant PCA Spray Aerator			
KE19-4002-RB1	Battery Power, 6" Rigid Gooseneck Spout, 1.5gpm Vandal Resistant PCA Spray Aerator			
KE19-4000-SA1	Battery Power, 3" Adjustable Gooseneck Spout, .5gpm Vandal Resistant PCA Spray Aerator	4-15/16" (125mm)	5-15/16" (151mm)	8-3/16" (208mm)
KE19-4000-SB1	Battery Power, 3" Adjustable Gooseneck Spout, 1.5gpm Vandal Resistant PCA Spray Aerator			
KE19-4100-SA1	AC/DC* Power, 3" Adjustable Gooseneck Spout, .5gpm Vandal Resistant PCA Spray Aerator			
KE19-4100-SB1	AC/DC* Power, 3" Adjustable Gooseneck Spout, 1.5gpm Vandal Resistant PCA Spray Aerator			
KE19-4102-SA1	AC/DC* Power, 6" Adjustable Gooseneck Spout, .5gpm Vandal Resistant PCA Spray Aerator	7-11/16" (195mm)	5-7/16" (138mm)	9-3/16" (233mm)
KE19-4102-SB1	AC/DC* Power, 6" Adjustable Gooseneck Spout, 1.5gpm Vandal Resistant PCA Spray Aerator			
KE19-4002-SA1	Battery Power, 6" Adjustable Gooseneck Spout, .5gpm Vandal Resistant PCA Spray Aerator			
KE19-4002-SB1	Battery Power, 6" Adjustable Gooseneck Spout, 1.5gpm Vandal Resistant PCA Spray Aerator			

*Includes 9V 800 mA UL listed adapter, US Plug.

Dimensions shown in inches (mm) are for reference only and are subject to change.